

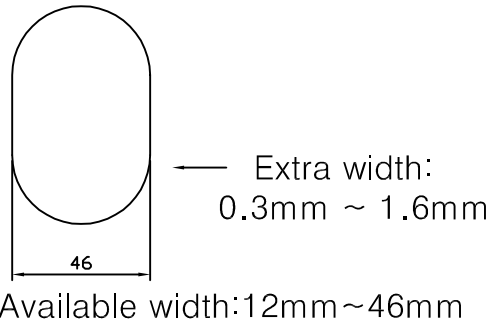
Table for TBC-53R

* R = Radius

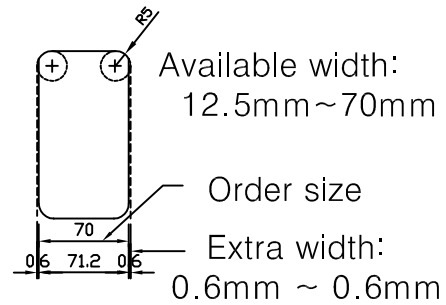
In case of R5

In case of R3

Oval / Half circle, Single



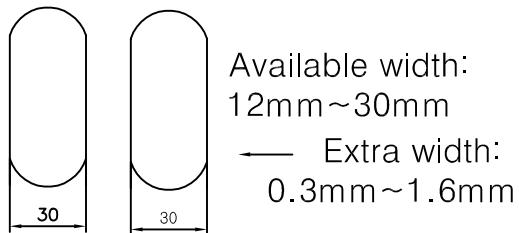
Normal Round Single



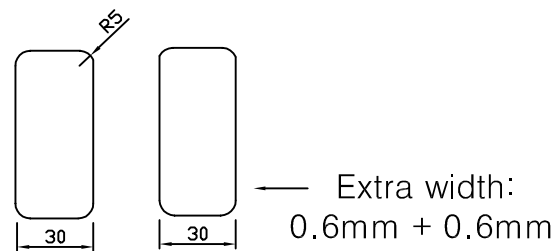
Normal Round Single



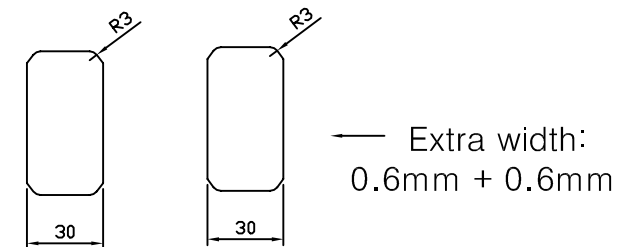
Oval Double



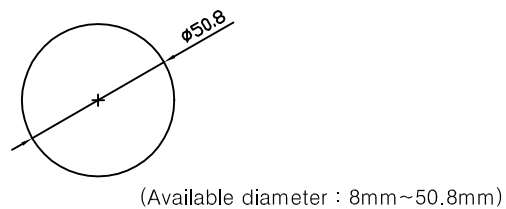
Normal Round Double



Normal Round Double



Circle Single



Available width: 12.5mm ~ 30mm

Available width : 12.5mm ~ 30mm