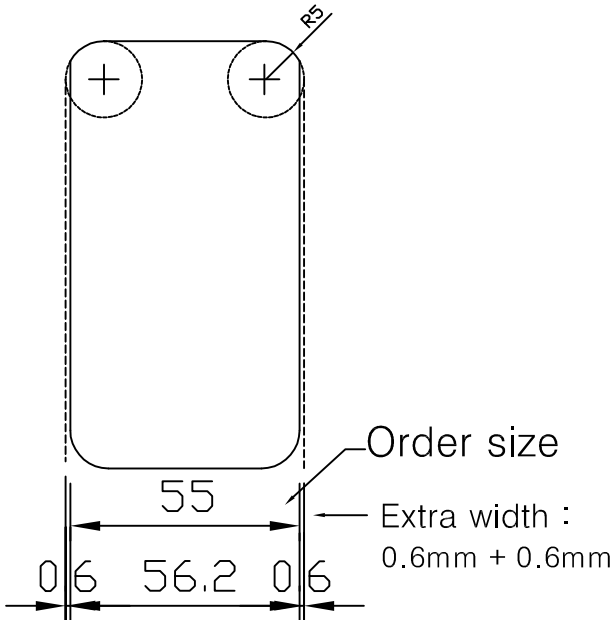


Table for TBC-50R

* R = Radius

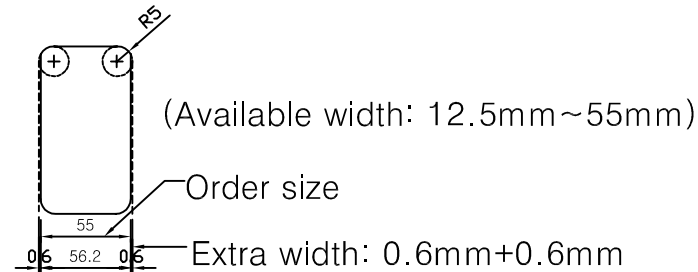
Example



If your velcro tape is of 55mm width, we prepare knife size of 56.2mm including extra width(0.6mm+0.6mm, as shown in above image.) to cover tolerance of velcro tape. (in case of R=5mm) So, if your velcro tape has more tolerance than above, R=3mm is recommended.

In case of R=5mm

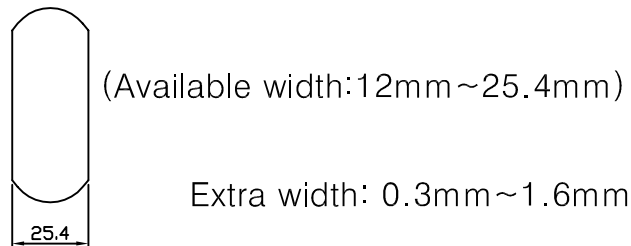
Normal Round Single



Normal Round Double



Oval Type Single

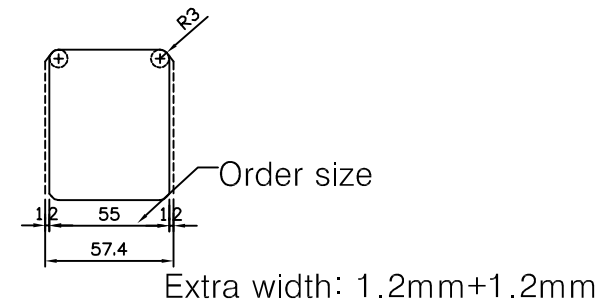


Circle Single

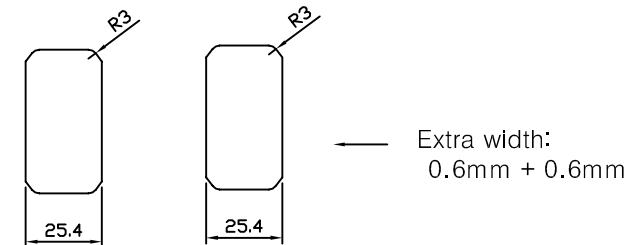


In case of R=3mm

Normal Round Single



Normal Round Double



Half Circle Single

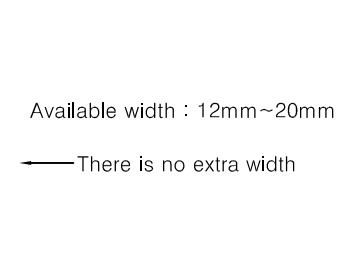
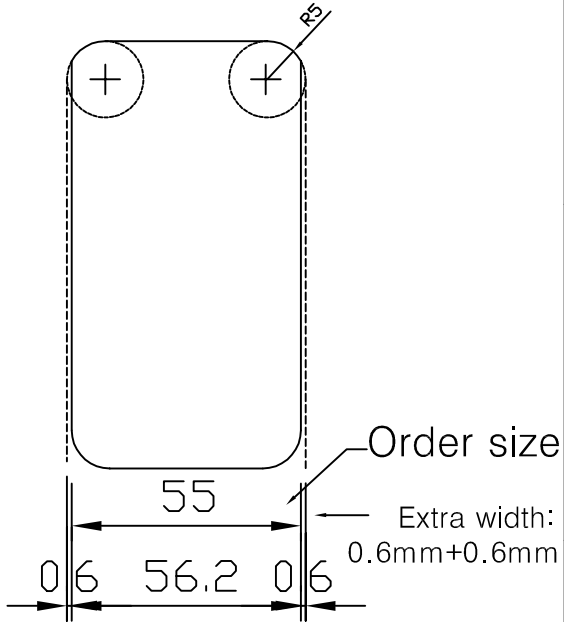


Table for TBC-52RT

* R = Radius

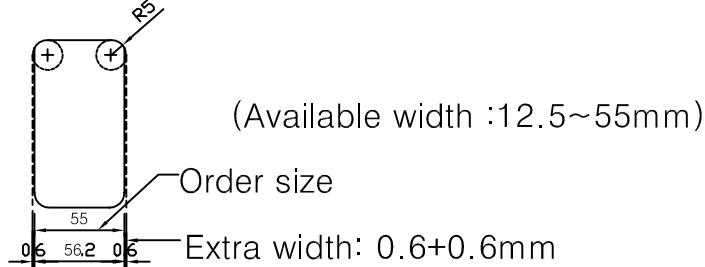
Example



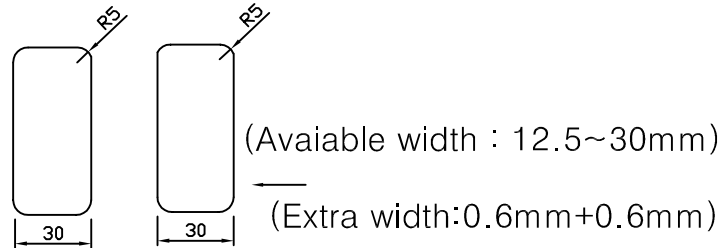
If your velcro tape is of 55mm width, we prepare knife size of 56.2mm including extra width(0.6mm+0.6mm, as shown in above image.) to cover tolerance of velcro tape. (in case of R=5mm)
So, if your velcro tape has more tolerance than above, R=3mm is recommended.

In case of R=5mm

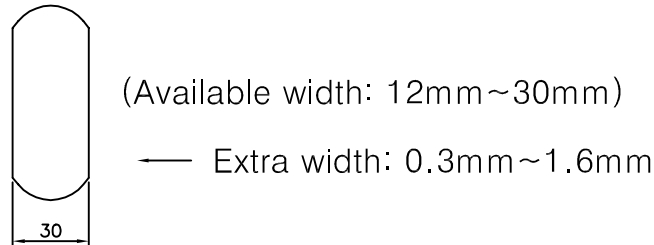
Normal Round Single



Normal Round Double



Oval Single

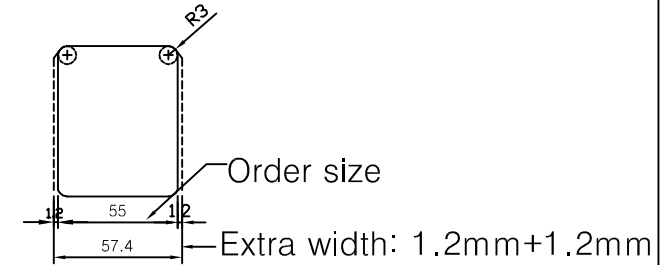


Circle Single

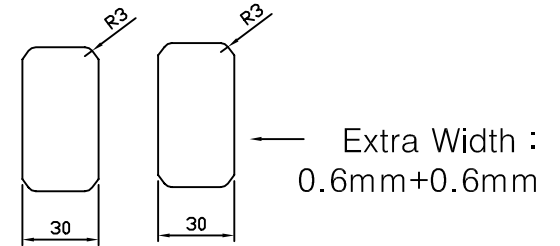


In case of R=3mm

Normal Round Single



Normal Round Double



Half Circle Single

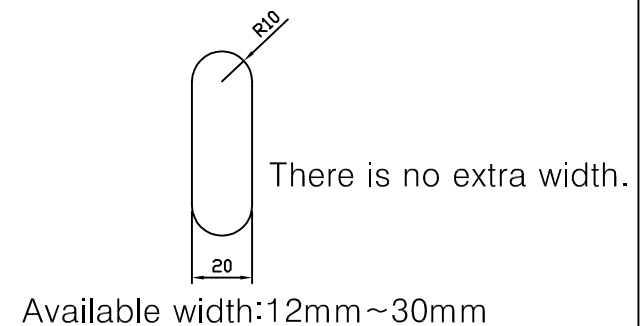


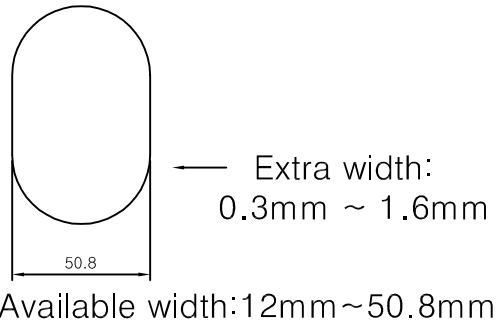
Table for TBC-53R

* R = Radius

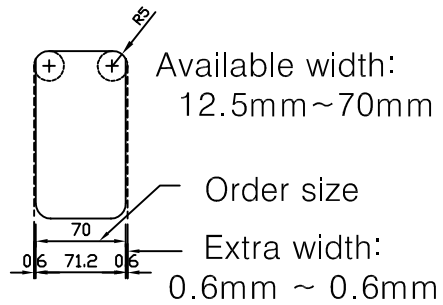
In case of R5

In case of R3

Oval / Half circle, Single



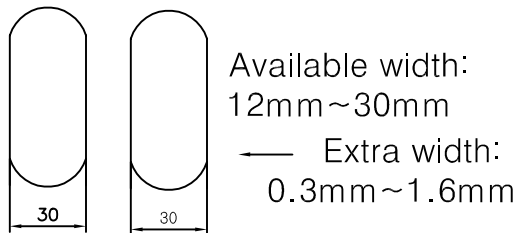
Normal Round Single



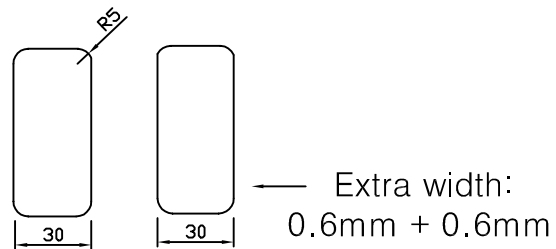
Normal Round Single



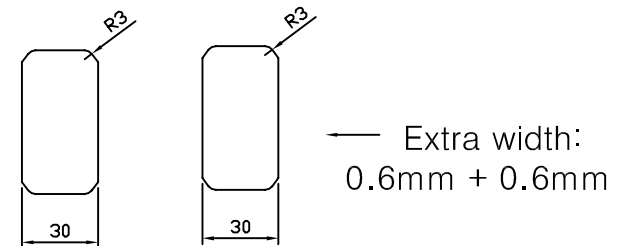
Oval Double



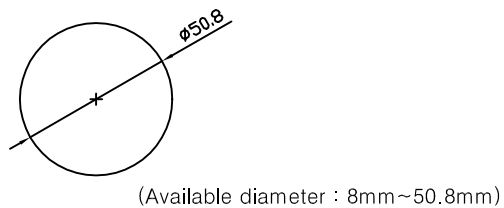
Normal Round Double



Normal Round Double



Circle Single



Available width: 12.5mm ~ 30mm

Available width : 12.5mm ~ 30mm